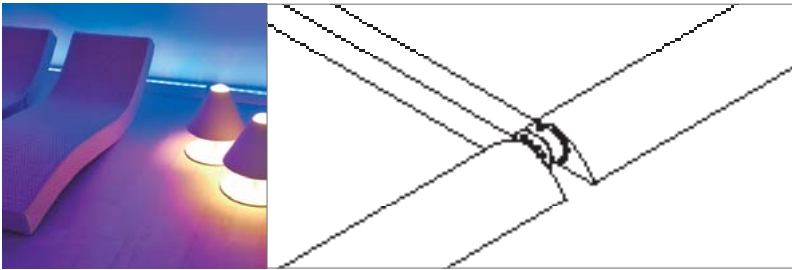




100 Series  
**MLR Sidekick System**  
**VodeRail & Bee+Rail T5**



**100 Series MLR SideKick System** for T5HE or T5HO fluorescent. Stack or suspension mount. Single-sided or double-sided option. 2'(61cm) – 8'(244cm) lengths, depending on lamp and rail type. Quick-connect wiring harness standard. Patented hub design with 370° rotation, angle-gauge and lock-screw. Brushed aluminum finish standard.



WingRail



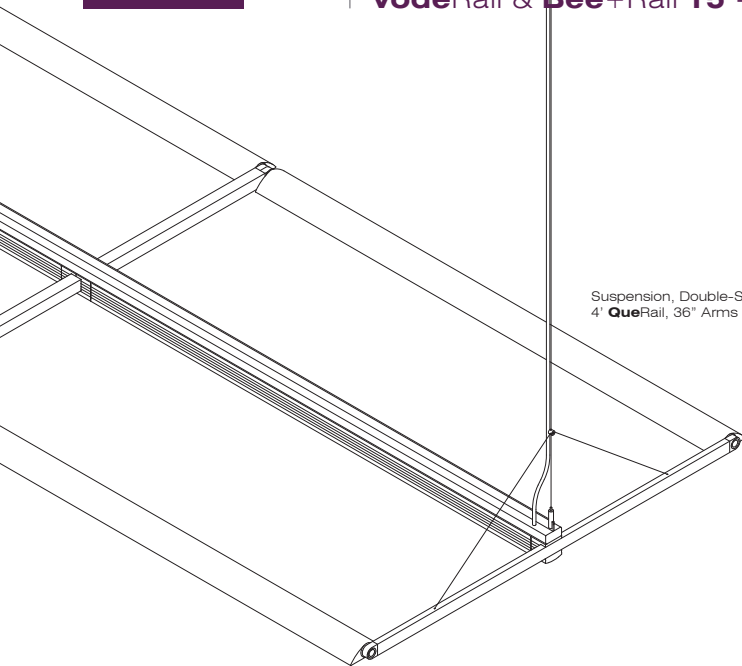
QueRail with slots



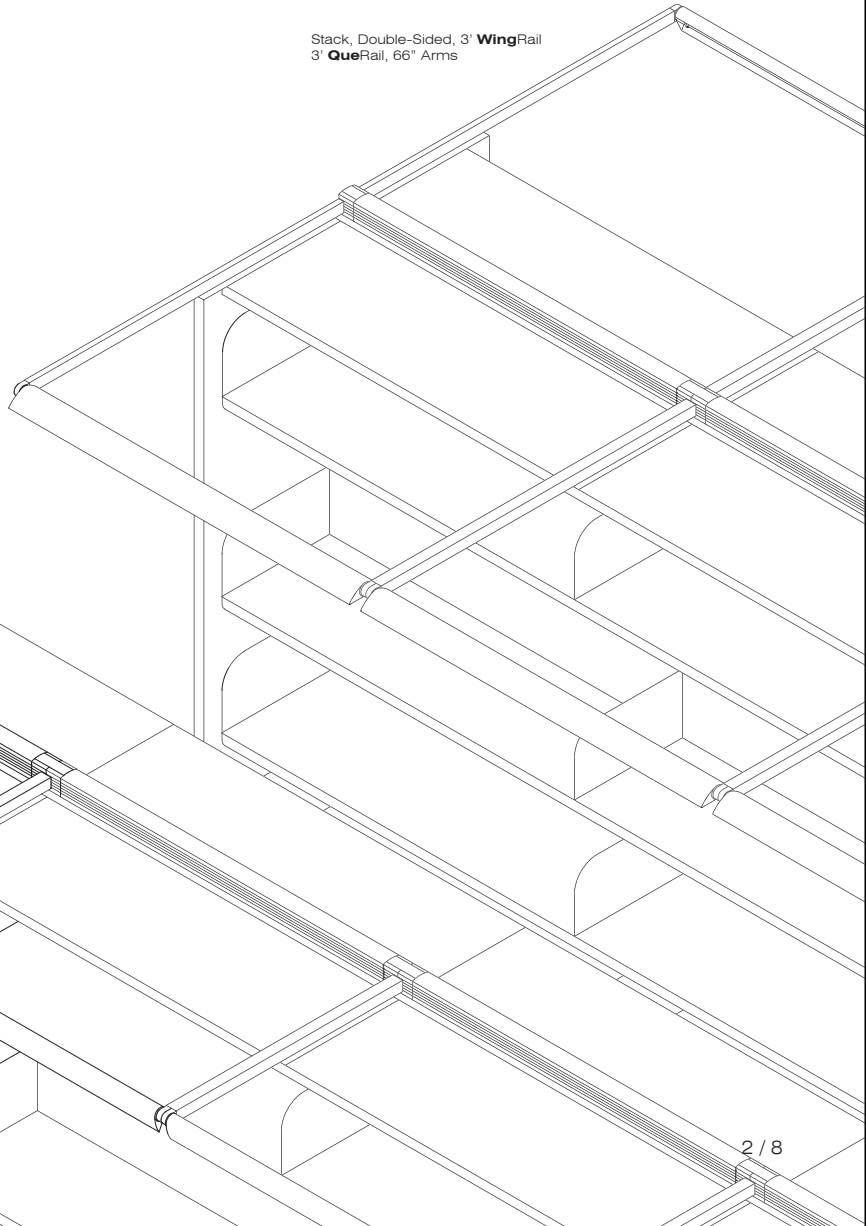
100 Series

**MLR SideKick System**

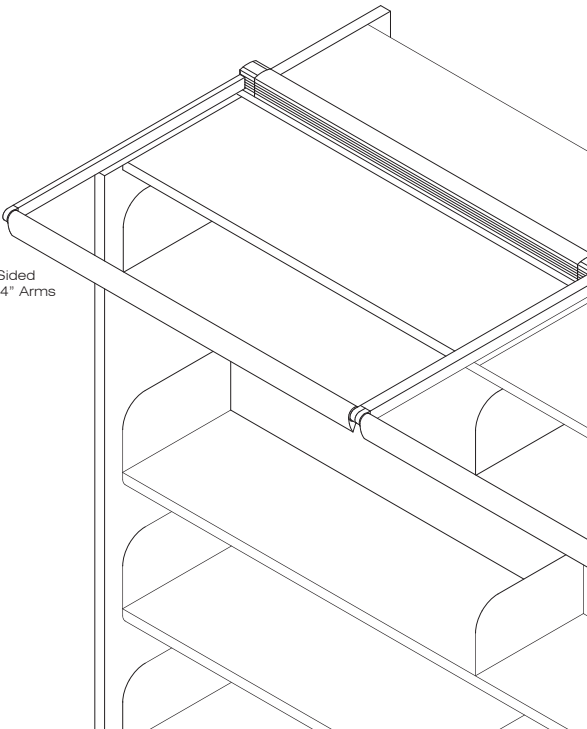
**VodeRail & Bee+Rail T5 - Example Configurations**



Suspension, Double-Sided  
4' **QueRail**, 36" Arms



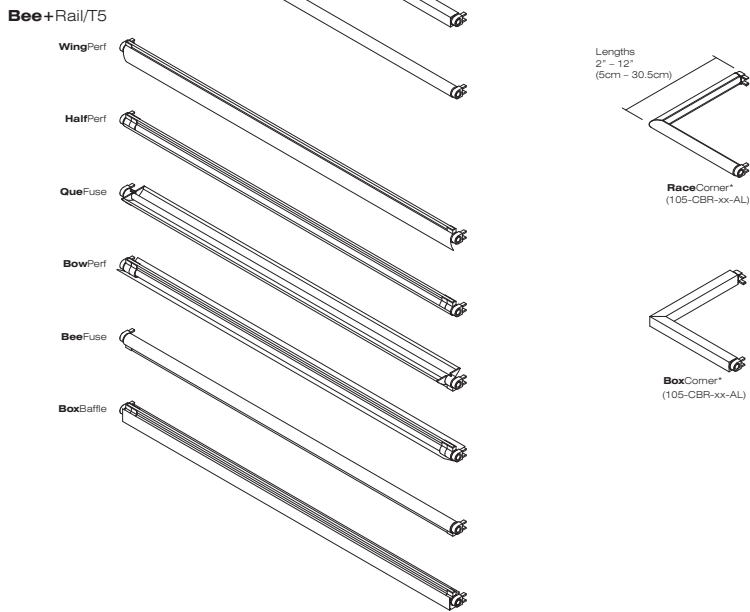
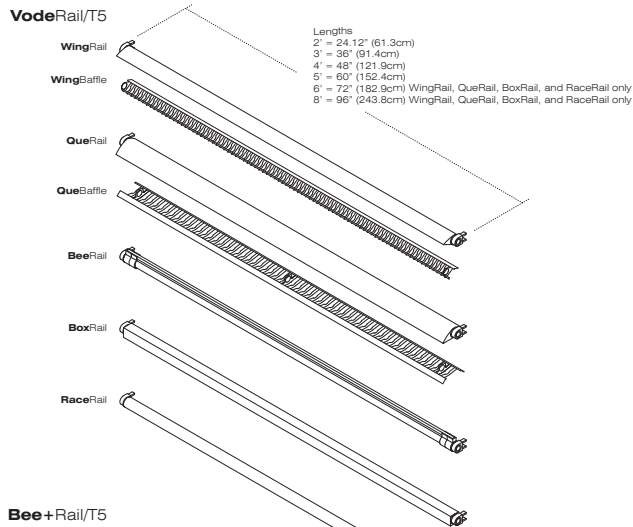
Stack, Double-Sided, 3' **WingRail**  
3' **QueRail**, 66" Arms



Stack, Single-Sided  
3' **WingRail**, 24" Arms



100 Series  
**MLR SideKick System**  
**VodeRail & Bee+Rail T5 - Rail Types**



\*Not an illuminated product.  
 \*Must be specified separately from System Specification Code.

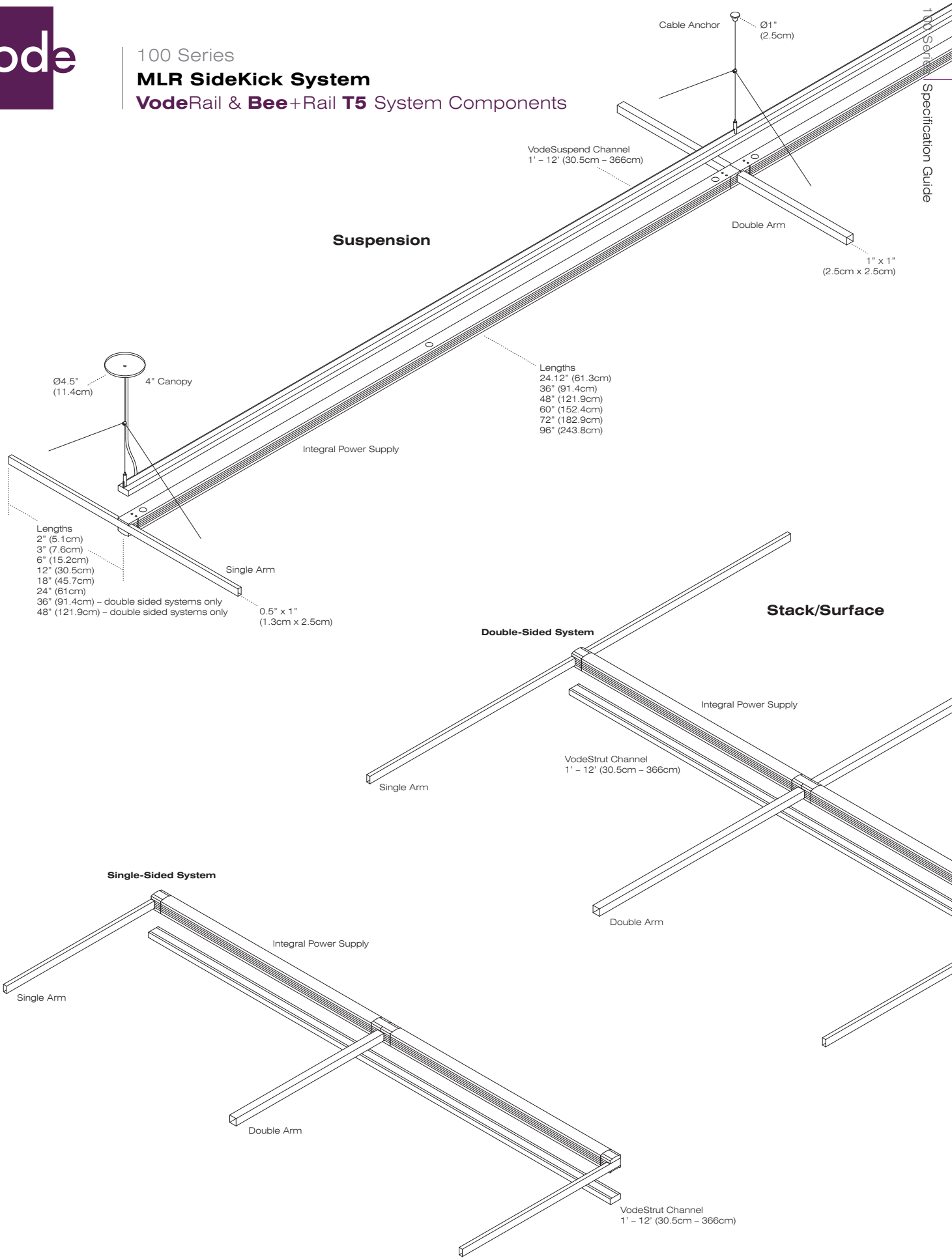


100 Series

### MLR SideKick System

### VodeRail & Bee+Rail T5 System Components

100 Series Specification Guide

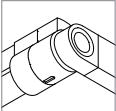
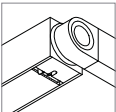




100 Series  
**MLR SideKick System**  
**VodeRail T5** - Specification Sheet

Specification Code

Rail Type	Single/Double Rail	Layout	Mounting	Arm/Cord Length	Ballast Location	Ballast Type/Voltage	Emergency Ballast	Lamp Type	Finish	Lens/Baffle	Options
<b>1</b>	<b>2</b>	<b>3</b>	<b>4</b>	<b>5</b>	<b>IB</b>	<b>7</b>	<b>8</b>	<b>9</b>	<b>10</b>	<b>11</b>	<b>12</b>

<b>1</b>	<p>Rail Type  <b>BE</b> BeeRail      <b>RR</b> RaceRail  <b>BX</b> BoxRail      <b>WG</b> WingRail  <b>QU</b> QueRail</p>	
<b>2</b>	<p>Single/Double Rail  <b>K1</b> single-sided  <b>K2</b> double-sided</p>	BeeRail
<b>3</b>	<p>Layout          See Layout Chart on page 142. Choose length (in feet) and corresponding "A" or "B" layout. "A" and "B" are common layouts. If "A" or "B" layouts are not desired, choose "C" (Custom Layout) and specify desired layout. Please note that <b>Bee</b>Rail is limited to 5' maximum length.</p>	
<b>4</b>	<p>Mounting  <b>ST</b> stack/surface  <b>SV</b> stack/surface with <b>VodeStrut</b>  <b>SS</b> suspension*</p> <p>*available for double-sided (<b>K2</b>) systems only          Standard suspension hardware includes <b>VodeSuspend</b> Channel, 6' power cord, cable and 4.5" jbox cover.</p>	BoxRail
<b>5</b>	<p>Arm/Cord Length  <b>2</b> 2" arm      <b>18</b> 18" arm      <b>60</b> 60" cable/cord  <b>3</b> 3" arm      <b>24</b> 24" arm      <b>XX</b> custom length  <b>6</b> 6" arm      <b>36</b> 36" arm*  <b>12</b> 12" arm      <b>48</b> 48" arm* (maximum)</p> <p>*single-sided (<b>K1</b>) arms cannot exceed 24". Arm length is calculated from center of ballast housing.</p>	QueRail
<b>6</b>	<p>Ballast Location  <b>IB</b> integral ballast</p>	RaceRail
<b>7</b>	<p>Ballast Type  <b>A</b> programmed start      <b>F</b> 1% dimming (0 - 10v)  <b>B</b> 10% dimming - Lutron Eco-10      <b>G</b> bi-level dimming  <b>C</b> 1% dimming - Lutron Hi-lume      <b>H</b> 1% DALI dimming - Lutron Hi-Lume 3D  <b>D</b> 1% DALI dimming - Osram      <b>X</b> other (specify)  <b>E</b> 10% DALI dimming - Lutron Ecosystem</p> <p>Maximum remote distance from 2' to 18' depending on ballast type.          See Ballast Chart on page 144.</p>	<p>Voltage  <b>1</b> 120v  <b>2</b> 277v  <b>3</b> 347v  <b>4</b> 220v</p>
<b>8</b>	<p>Emergency Ballast  <b>0</b> none    <b>X</b> indicate number of emergency ballasts required</p> <p>Emergency ballast not available with 2' &amp; 3' Rail sections.</p>	WingRail
<b>9</b>	<p>Lamp Type  <b>HE</b> high efficiency T5      <b>HO</b> high output T5          2' = 14w    5' = 35w      2' = 24w    5' = 80w          3' = 21w    6' = (2) 21w      3' = 39w    6' = (2) 39w          4' = 28w    8' = (2) 28w      4' = 54w    8' = (2) 54w</p>	
<b>10</b>	<p>Finish  <b>A</b> brushed aluminum (standard)  <b>WH</b> white powdercoat  <b>BL</b> black anodized</p>	
<b>11</b>	<p>Lens/Baffle  <b>0</b> none      <b>1</b> prismatic lens*  <b>B</b> cross baffle**    <b>S</b> indirect†</p> <p>Please refer to <b>Bee+Rail</b> specification guide for accessory reflectors for <b>Bee</b>Rail.          *option for <b>QU</b> and <b>WG</b> only, standard for <b>RR</b> and <b>BX</b>          **option for <b>QU</b> and <b>WG</b> only †option for <b>WG</b>, <b>BX</b> and <b>QU</b> only</p>	
<b>12</b>	<p>Options  <b>0</b> none      <b>F</b> GLR fuse  <b>1</b> on/off toggle switch      <b>L</b> lamps provided (specify color temperature)  <b>2</b> daylight sensor      <b>CP6</b> 6' 14/3 clear power cord and plug  <b>3</b> occupancy sensor      <b>EP</b> conduit adapter for end power feed</p>	





All Rail Types  
**Layout Chart**  
**T5 & LED**

Choose length (in feet) and corresponding "A" or "B" layout. "A" and "B" are common layouts.  
 If "A" or "B" layouts are not desired, choose "C" (custom layout) and specify desired layout.

**Please note that 1' rail length is only available with LED.**

**BeeRail and Bee+Rails are limited to 5' lengths. VodeRail/LED is limited to 6'.**

Code	1	2	3	4	5	6	7	8
------	---	---	---	---	---	---	---	---

†1A	1							
2A	2							
3A	3							
4A	4							
4B	2	2						
5A	5							
5B	2	3						
6A	6							
6B	3	3						
7A	4	3						
7B	2	3	2					
*8A	8							
8B	4	4						
9A	3	3	3					
9B	5	4						
10A	5	5						
10B	3	4	3					
11A	4	4	3					
*11B	8	3						
12A	4	4	4					
12B	6	6						
13A	4	5	4					
*13B	8	5						
*14A	6	8						
14B	5	5	4					
15A	5	5	5					
15B	6	6	3					
*16A	8	8						
16B	4	4	4	4				
17A	4	4	4	5				
17B	6	6	5					
18A	6	6	6					
18B	3	3	3	3	3	3		
19A	4	4	4	4	3			
19B	5	5	5	4				
20A	4	4	4	4	4			
20B	5	5	5	5				
21A	4	4	4	4	5			
21B	3	3	3	3	3	3		
22A	4	4	6	4	4			
22B	6	6	6	4				
23A	4	4	4	4	4	3		
23B	6	6	6	5				
*24A	8	8	8					
24B	6	6	6	6				
25A	5	5	5	5	5			
25B	4	4	4	4	4	5		
26A	3	4	4	4	4	4	3	
*26B	6	6	6	8				
27A	6	6	3	6	6			
27B	4	4	4	3	4	4	4	
28A	4	4	4	4	4	4	4	
*28B	8	8	8	4				
*29A	8	8	8	5				
29B	6	6	5	6	6			
30A	6	6	6	6	6			
30B	5	5	5	5	5	5		
*31A	8	5	5	5	8			
31B	4	4	4	4	4	4	4	3
*32A	8	8	8	8				
32B	4	4	4	4	4	4	4	4
33A	6	6	6	6	6	3		
33B	4	5	5	5	5	4		
*34A	5	8	8	8	5			
34B	3	4	4	4	4	4	4	3
35A	5	5	5	5	5	5		

Code	1	2	3	4	5	6	7	8	9	10	11	12	13	14	15	16	17
------	---	---	---	---	---	---	---	---	---	----	----	----	----	----	----	----	----

*35B	8	8	8	8	3												
36A	6	6	6	6	6	6											
36B	4	4	4	4	4	4	4	4	4								
*37A	8	8	5	8	8												
37B	4	4	4	4	4	4	4	4	4	5							
*38A	8	8	6	8	8												
*38B	6	6	6	6	6	8											
39A	6	6	6	6	6	6	3										
39B	5	5	5	5	5	5	5	4									
*40A	8	8	8	8	8												
40B	5	5	5	5	5	5	5	5									
41A	4	4	4	4	4	4	4	4	4	5							
41B	6	6	6	6	6	6	5										
42A	6	6	6	6	6	6	6										
*42B	5	8	8	8	8	5											
*43A	8	8	8	8	8	3											
43B	4	5	5	5	5	5	5	5	4								
44A	4	4	4	4	4	4	4	4	4	4	4						
*44B	8	8	8	8	8	4											
45A	5	5	5	5	5	5	5	5	5								
*45B	8	8	8	8	8	5											
*46A	8	8	8	8	8	6											
46B	6	6	6	6	6	6	6	4									
*47A	8	8	5	5	5	8	8										
47B	5	5	5	5	5	5	5	4	4	4							
*48A	8	8	8	8	8	8											
48B	6	6	6	6	6	6	6	6									
49A	5	5	5	5	5	5	5	5	4								
49B	6	6	5	5	5	5	5	5	6	6							
50A	5	5	5	5	5	5	5	5	5	5							
*50B	5	8	8	8	8	5											
51A	6	6	6	6	6	6	6	6	3								
*51B	8	8	8	3	8	8	8										
52A	4	4	4	4	4	4	4	4	4	4	4	4	4	4	4		
*52B	8	8	8	8	8	8	4										
*53A	8	8	8	5	8	8	8										
53B	4	5	5	5	5	5	5	5	5	5	4						
54A	6	6	6	6	6	6	6	6	6								
*54B	8	8	8	8	8	8	6										
55A	5	5	5	5	5	5	5	5	5	5	5						
*55B	8	8	8	8	8	5	5										
*56A	8	8	8	8	8	8	8										
56B	4	4	4	4	4	4	4	4	4	4	4	4	4	4	4	4	
57A	6	6	6	6	6	6	6	6	6	3							
*57B	8	8	8	3	3	3	8	8	8								
*58A	5	8	8	8	8	8	5										
58B	6	6	6	6	6	6	6	6	6	4							
59A	5	5	5	5	5	5	5	5	5	5	5	4					
*59B	8	8	8	8	8	8	8	3									
60A	4	4	4	4	4	4	4	4	4	4	4	4	4	4	4	4	
60B	6	6	6	6	6	6	6	6	6	6							
*61A	8	8	8	5	8	8	8	8									
61B	4	4	4	4	4	4	4	4	4	4	4	4	4	4	4	4	5
*62A	8	8	8	8	8	8	6										
62B	4	6	6	6	6	6	6	6	6	4							
63A	6	6	6	6	6	6	6	6	6	6	3						
63B	4	4	4	4	4	4	4	4	4	4	4	4	4	4	4	4	3
*64A	8	8	8	8	8	8	8										
64B	4	4	4	4	4	4	4	4	4	4	4	4	4	4	4	4	4
65A	5	5	5	5	5	5	5	5	5	5	5	5	5	5	5		
65B	4	4	4	4	4	4	4	4	4	4	4	4	4	4	4	4	5
66A	6	6	6	6	6	6	6	6	6	6	6						
*66B	5	8	8	8	8	8	8	5									
*67A	8	8	8	8	8	8	8	8	3								
67B	5	5	5	5	5	5	5	5	5	5	5	4	4	4	4		
*68A	8	8	8	8	8	8	8	8	4								

† available for VodeRail/LED only  
 \* available for VodeRail T5 only



All Rail Types  
**Layout Chart**  
**T5 & LED**

Choose length (in feet) and corresponding "A" or "B" layout. "A" and "B" are common layouts.  
 If "A" or "B" layouts are not desired, choose "C" (custom layout) and specify desired layout.

**Please note that 1' rail length is only available with LED.**

**BeeRail and Bee+Rails are limited to 5' lengths. VodeRail/LED is limited to 6'.**

Code	1	2	3	4	5	6	7	8	9	10	11	12	13	14	15	16	17	18	19	20	21	22	23	24
68B	4	4	4	4	4	4	4	4	4	4	4	4	4	4	4	4								
69A	6	6	6	6	6	6	6	6	6	6	6	6	6	6	6	6	3							
*69B	8	8	8	8	8	8	8	8	8	8	8	5												
*70A	8	8	8	8	8	8	8	8	8	6														
70B	5	5	5	5	5	5	5	5	5	5	5	5	5	5										
*71A	8	5	5	5	5	5	5	5	5	5	5	5	5	5	5	8								
71B	4	4	4	4	4	4	4	4	4	4	4	4	4	4	4	4	4	4	3					
*72A	8	8	8	8	8	8	8	8	8															
72B	6	6	6	6	6	6	6	6	6	6	6	6	6	6	6									
73A	4	4	4	4	4	4	4	4	4	4	4	4	4	4	4	4	4	5						
*73B	8	3	8	8	8	3	8	8	3	8														
*74A	5	8	8	8	8	8	8	8	8	5														
74B	4	6	6	6	6	6	6	6	6	6	6	6	4											
75A	5	5	5	5	5	5	5	5	5	5	5	5	5	5	5	5	5							
75B	6	6	6	6	6	6	6	6	6	6	6	6	6	3										
*76A	8	8	8	8	8	8	8	8	8	4														
76B	4	4	4	4	4	4	4	4	4	4	4	4	4	4	4	4	4	4	4	4				
*77A	8	8	8	8	8	8	8	8	8	5														
77B	4	4	4	4	4	4	4	4	4	4	4	4	4	4	4	4	4	4	5					
78A	6	6	6	6	6	6	6	6	6	6	6	6	6											
*78B	8	8	8	8	8	8	8	8	8	6														
*79A	8	8	8	8	8	8	8	8	5	5														
79B	5	5	5	5	5	5	5	5	5	5	5	5	5	5	5	4								
*80A	8	8	8	8	8	8	8	8	8															
80B	5	5	5	5	5	5	5	5	5	5	5	5	5	5	5	5								
81A	6	6	6	6	6	6	6	6	6	6	6	6	6	6	3									
81B	4	4	4	4	4	4	4	4	4	4	4	4	4	4	4	4	4	4	5					
*82A	5	8	8	8	8	8	8	8	8	8	5													
82B	6	6	6	6	6	6	6	6	6	6	6	6	6	4										
*83A	8	8	8	8	8	8	8	8	8	3														
83B	4	4	4	4	4	4	4	4	4	4	4	4	4	4	4	4	4	4	3					
84A	6	6	6	6	6	6	6	6	6	6	6	6	6	6										
*84B	8	8	8	8	8	8	8	8	8	8	4													
85A	5	5	5	5	5	5	5	5	5	5	5	5	5	5	5	5	5							
*85B	8	8	8	8	8	8	8	8	8	5														
*86A	8	8	8	8	8	8	8	8	8	6														
*86B	6	6	6	6	6	6	6	6	6	6	6	6	6	8										
87A	6	6	6	6	6	6	6	6	6	6	6	6	6	6	3									
*87B	8	8	8	8	8	8	8	8	8	5	5													
*88A	8	8	8	8	8	8	8	8	8	8														
88B	6	6	6	6	6	6	6	6	6	6	6	6	6	4										
*89A	8	8	8	8	8	8	8	8	8	3	3	3												
89B	5	5	5	5	5	5	5	5	5	5	5	5	5	5	5	4								
90A	6	6	6	6	6	6	6	6	6	6	6	6	6	6	6									
90B	5	5	5	5	5	5	5	5	5	5	5	5	5	5	5	5	5							
*91A	8	8	8	8	8	8	8	8	8	8	3													
91B	4	4	4	4	4	4	4	4	4	4	4	4	4	4	4	4	4	4	4	3				
*92A	8	8	8	8	8	8	8	8	8	8	4													
92B	4	6	6	6	6	6	6	6	6	6	6	6	6	6	4									
93A	6	6	6	6	6	6	6	6	6	6	6	6	6	6	3									
*93B	8	8	8	8	8	8	8	8	8	8	5													
*94A	8	8	8	8	8	8	8	8	8	8	6													
94B	6	6	6	6	6	6	6	6	6	6	6	6	6	6	4									
95A	5	5	5	5	5	5	5	5	5	5	5	5	5	5	5	5	5							
*95B	8	8	8	8	8	8	8	8	8	8	5	5												
*96A	8	8	8	8	8	8	8	8	8	8														
96B	6	6	6	6	6	6	6	6	6	6	6	6	6	6	6									
*97A	8	8	8	8	8	8	8	8	8	3	3	3												
97B	4	4	4	4	4	4	4	4	4	4	4	4	4	4	4	4	4	4	4	5				
*98A	5	8	8	8	8	8	8	8	8	8	5													
98B	4	6	6	6	6	6	6	6	6	6	6	6	6	6	4									
99A	6	6	6	6	6	6	6	6	6	6	6	6	6	6	3									
*99B	8	8	8	8	8	8	8	8	8	8	3													
*100A	8	8	8	8	8	8	8	8	8	8	4													
100B	5	5	5	5	5	5	5	5	5	5	5	5	5	5	5	5	5							

† available for VodeRail/LED only  
 \* available for VodeRail T5 only