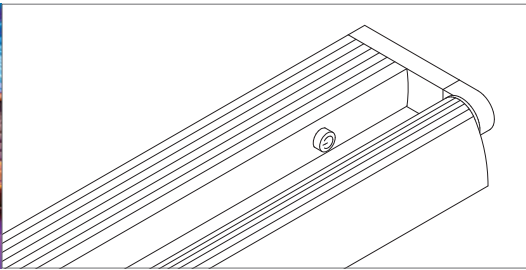
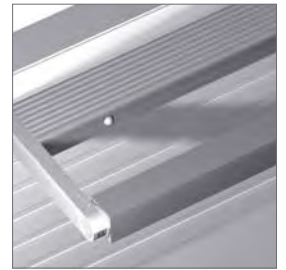




100 Series
MLR Work Light
VodeRail T5



100 Series MLR Work Light for T5HE or T5HO fluorescent. Slatwall or under-cabinet mount. 2' (61.3cm) - 5' (152.4cm) lengths available. Patented hub design with 370° rotation, angle-gauge and lock-screw. On/off switch. Occupancy sensor option. Brushed aluminum finish standard.



BoxRail



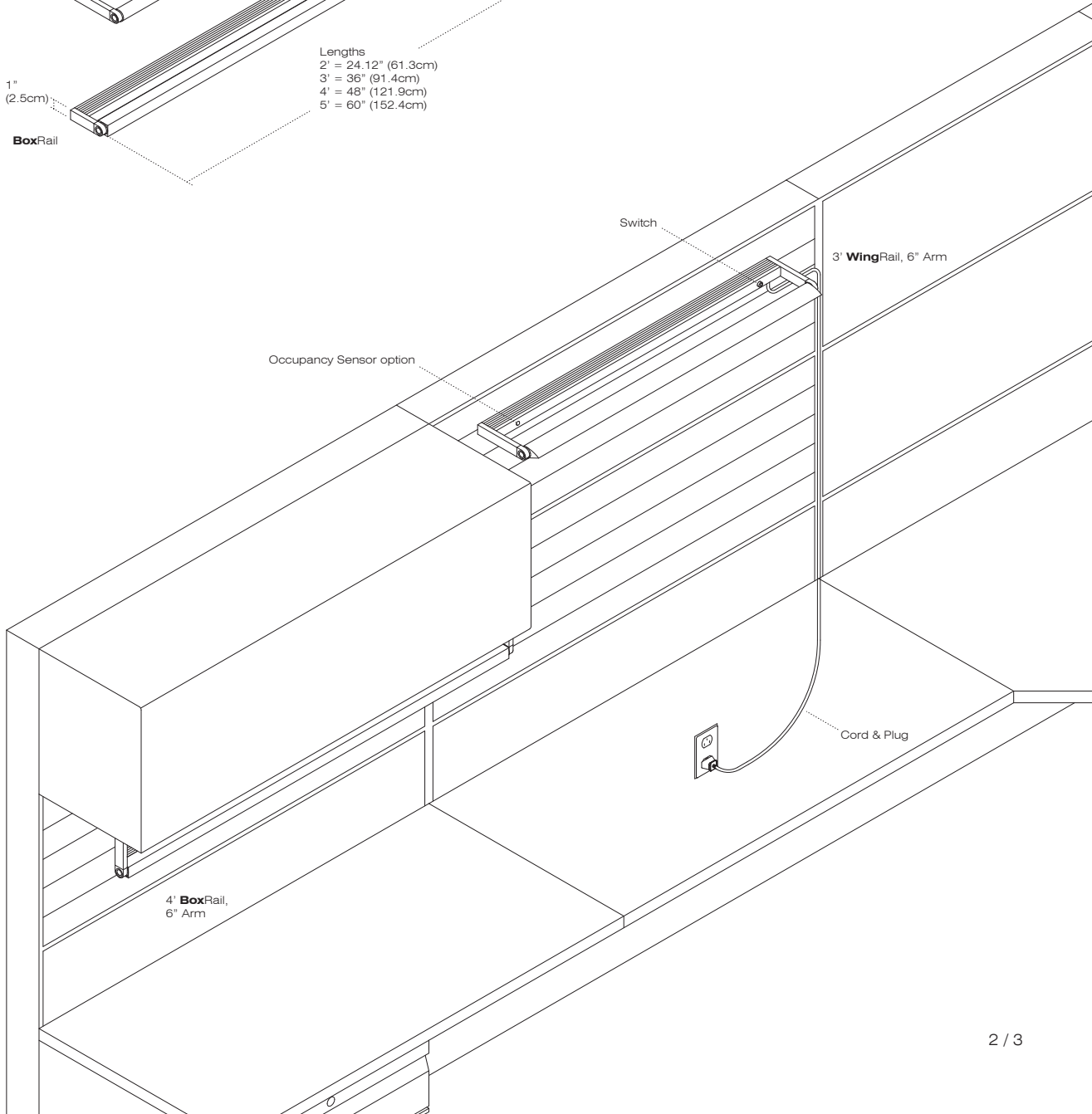
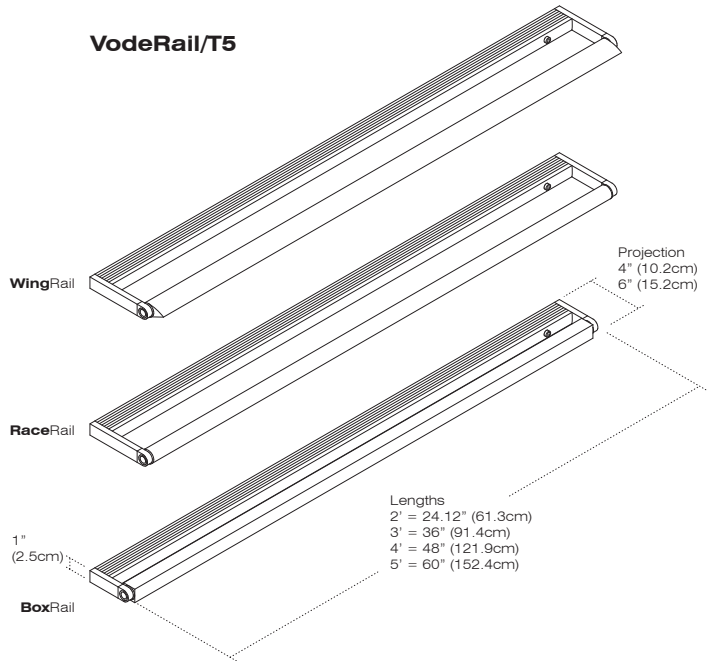
WingRail



100 Series

MLR Work Light

VodeRail T5 - Example Configurations & Rail Types

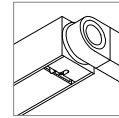




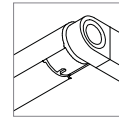
100 Series
MLR Work Light
VodeRail T5 - Specification Sheet

Specification Code	Vode Code	Rail Type	Rail Length	Projection	Mounting	Voltage	Lamp Type	Finish	Slot/Baffle	Options
	125	2	3	4	5	6	7	8	9	10

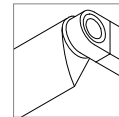
1	Vode Code 125									
2	Rail Type BX BoxRail RR RaceRail WG WingRail									
3	Rail Length 2 24.125" 3 36" 4 48" 5 60"									
4	Projection 4 4" 6 6"									
5	Mounting WA wall mount UC undercabinet mount SW slat wall* *specify exact brand and series									
6	Voltage 1 120v 2 277v									
7	Lamp Type HE high efficiency T5 2' = 14w 3' = 21w 4' = 28w 5' = 35w HO high output T5 2' = 24w 3' = 39w 4' = 54w 5' = 80w									
8	Finish A brushed aluminum (standard) BL black anodized									
9	Slot/Baffle 0 none B cross baffle (option for WG only) S indirect slot (option for WG and BX only)									
10	Options 0 none 3 occupancy sensor L lamps provided* *specify color temperature									



BoxRail



RaceRail



WingRail