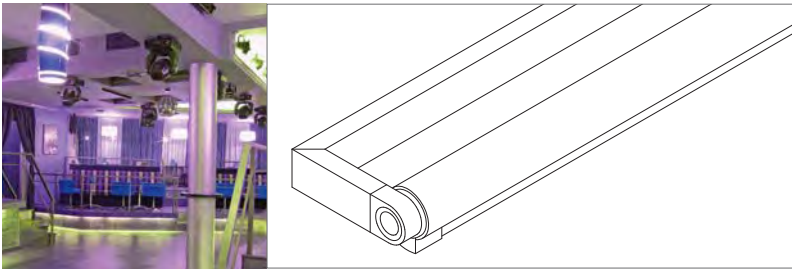
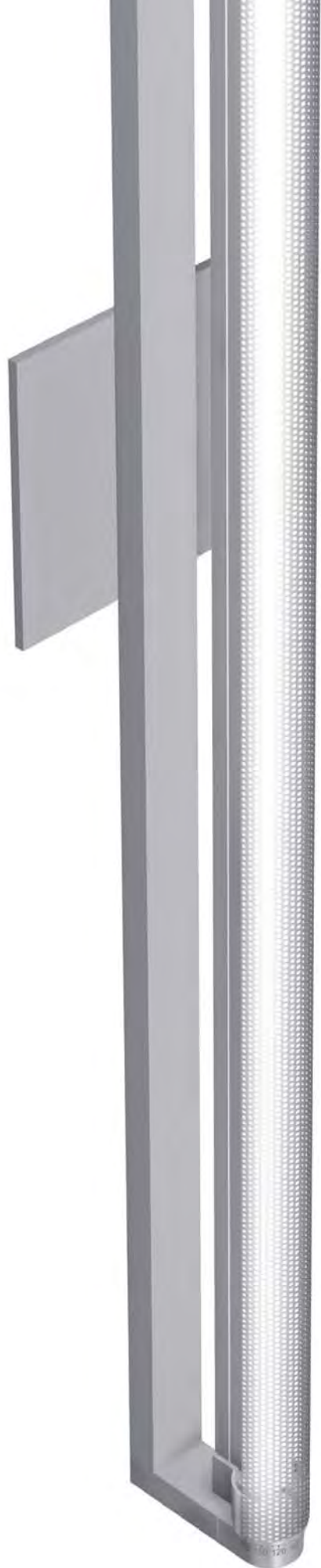




100 Series
MLR Monopoint
VodeRail & Bee+Rail T5



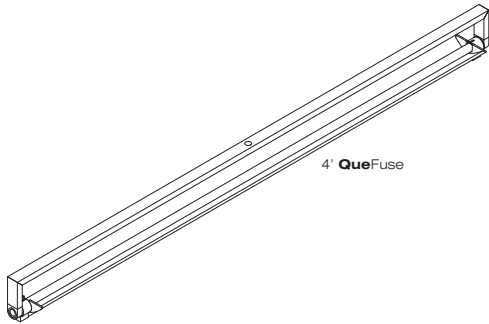
100 Series MLR Monopoint for T5HE or T5HO fluorescent. Wall or ceiling mount. 2'(61.3cm) – 5'(152.4cm) lengths available. Patented hub design allows for 370° rotation with angle-gauge and lock-screw. Brushed aluminum finish standard.



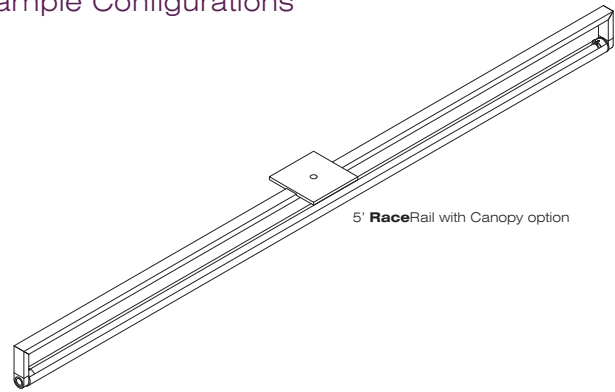
100 Series

MLR Monopoint

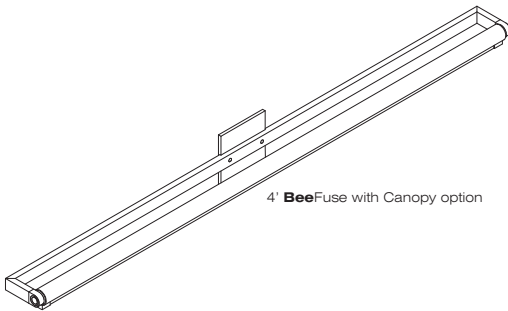
VodeRail & Bee+Rail T5 - Example Configurations



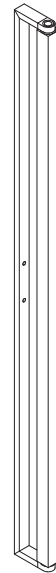
4' **QueFuse**



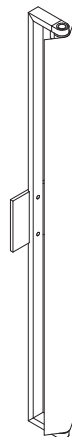
5' **RaceRail** with Canopy option



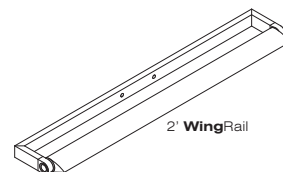
4' **BeeFuse** with Canopy option



4' **BoxRail**



3' **BowPerf** with Canopy option

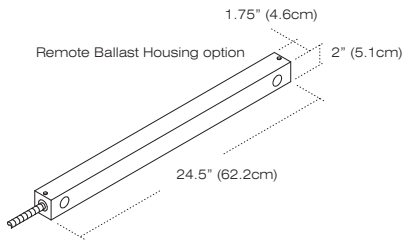
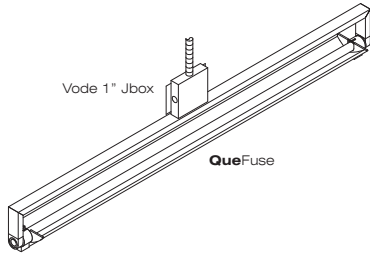
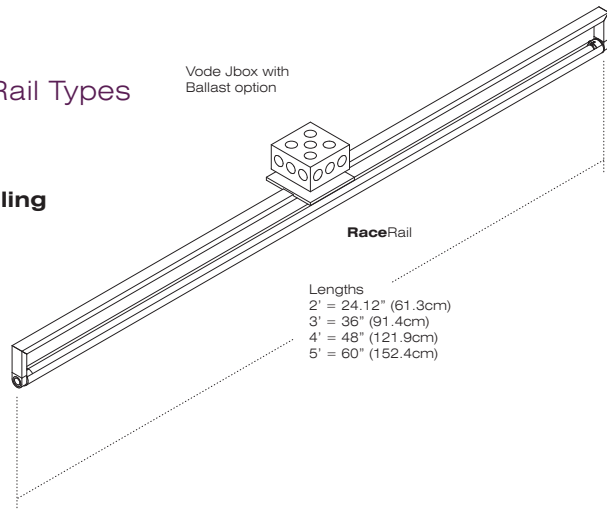


2' **WingRail**

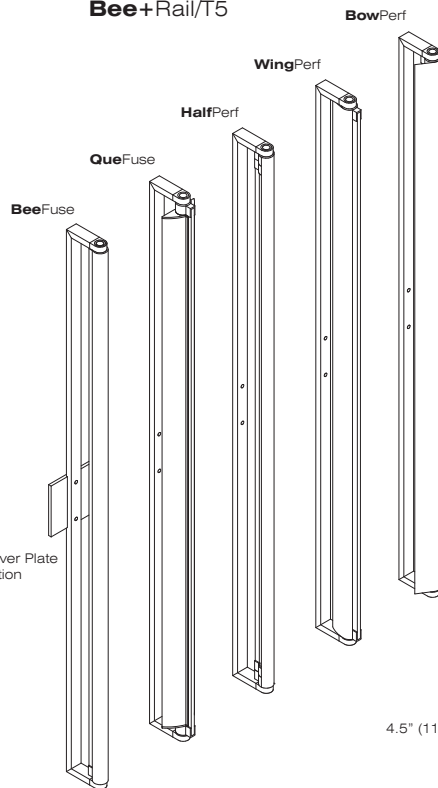


100 Series
MLR Monopoint
VodeRail & Bee+Rail T5 - Rail Types

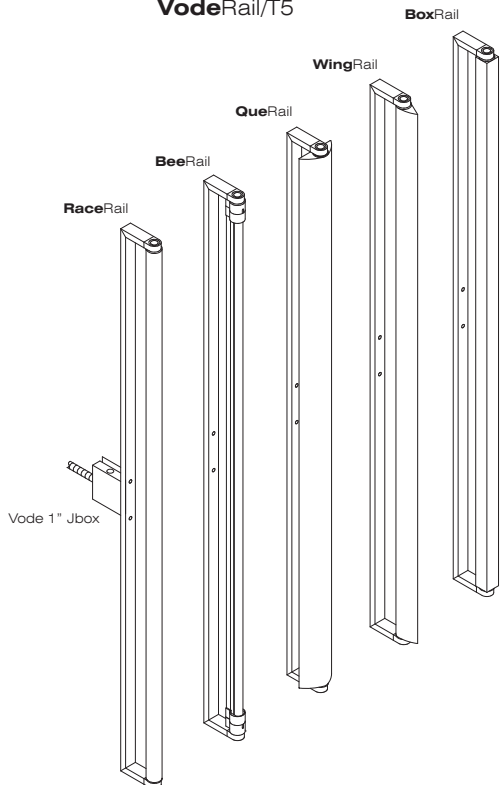
Ceiling



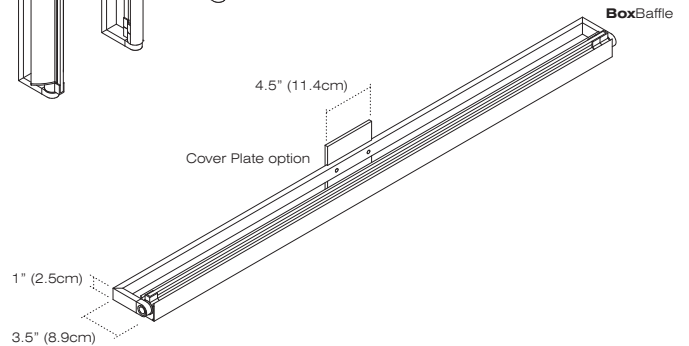
Bee+Rail/T5



VodeRail/T5



Wall



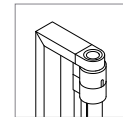


100 Series
MLR Monopoint
VodeRail T5 - Specification Sheet

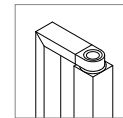
Specification Code

Vode Code	Rail Type	Rail Length	Ballast Location	Ballast Type	Voltage	Emergency Ballast	Lamp Type	Finish	Lens/Baffle	Options
135	2	3	4	5	6	7	8	9	10	11

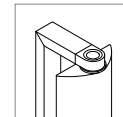
1	Vode Code 135									
2	Rail Type BE BeeRail BX BoxRail QU QueRail RR RaceRail WG WingRail									
3	Rail Length 2 24.125" 3 36" 4 48" 5 60"									
4	Ballast Location Integral Ballast JS ballast in Vode jbox* Remote Ballast RB no jbox cover plate RC with jbox cover plate *instant start ballast (I) only, 4' 28w lamp max.									
5	Ballast Type Integral Ballast I instant start Remote Ballast A programmed start B 10% dimming - Lutron Eco-10 C 1% dimming - Lutron Hi-Lume D 1% DALI dimming - Osram E 10% DALI dimming - Lutron Ecosystem F 1% dimming (0 - 10v) G bi-level dimming H 1% DALI dimming - Lutron Hi-Lume 3D X other (please specify) Maximum remote distance from 2' to 18' depending on ballast type. See Ballast Chart on page 144.									
6	Voltage 1 120v 2 277v 3 347v* 4 220v* *remote ballast only									
7	Emergency Ballast 0 none 1 emergency ballast (with remote ballast only)									
8	Lamp Type HE high efficiency T5 2' = 14w 4' = 28w 3' = 21w 5' = 35w HO high output T5 2' = 24w 4' = 54w 3' = 39w 5' = 80w									
9	Finish A brushed aluminum (standard) WH white powdercoat BL black anodized									
10	Lens/Baffle 0 none 1 prismatic lens (option for QU and WG only, standard for RR and BX) B cross baffle (option for QU and WG only) S indirect slot (option for WG , BX and QU only) Please refer to Bee+Rail specification guide for accessory reflectors for BeeRail .									
11	Options 0 none F GLR fuse (remote ballast only) L lamps provided (specify color temperature) CP6 6' 18/3 clear power cord and plug									



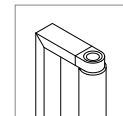
BeeRail



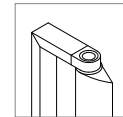
BoxRail



QueRail



RaceRail



WingRail



100 Series

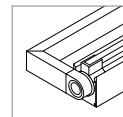
MLR Monopoint

Bee+Rail T5 - Specification Sheet

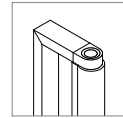
Specification Code

Vode Code	Rail Type	Rail Length	Ballast Location	Ballast Type	Voltage	Emergency Ballast	Lamp Type	Finish	Bee+Rail	Options
135	BE	3	4	5	6	7	8	9	10	11

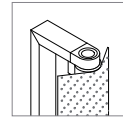
1	Vode Code 135									
2	Rail Type BE Bee+Rail (specify Bee+ diffuser/reflector in step 10)									
3	Rail Length 2 24.125" 3 36" 4 48" 5 60"									
4	Ballast Location Integral Ballast JS ballast in Vode jbox* Remote Ballast RB no jbox cover plate RC with jbox cover plate *instant start ballast (I) only, 4' 28w lamp max.									
5	Ballast Type Integral Ballast I instant start* Remote Ballast A programmed start B 10% dimming – Lutron Eco-10 C 1% dimming – Lutron Hi-Lume D 1% DALI dimming – Osram E 10% DALI dimming – Lutron Ecosystem F 1% dimming (0 – 10v) G bi-level dimming H 1% DALI dimming – Lutron Hi-Lume 3D X other (please specify) Maximum remote distance from 2' to 18' depending on ballast type. See Ballast Chart on page 144. *only available in 14w (2'), 21w (3') and 24w (2') lamps									
6	Voltage 1 120v 2 277v 3 347v* 4 220v* *remote ballast only									
7	Emergency Ballast 0 none 1 emergency ballast (with remote ballast only)									
8	Lamp Type HE high efficiency T5 2' = 14w 4' = 28w 3' = 21w 5' = 35w HO high output T5 2' = 24w 4' = 54w 3' = 39w 5' = 80w									
9	Finish A brushed aluminum (standard) WH white powdercoat BL black anodized									
10	Bee+Rail BB BoxBaffle* HP HalfPerf BF BeeFuse QF QueFuse BP BowPerf WP WingPerf *horizontal mounting only									
11	Options 0 none F GLR fuse (remote ballast only) L lamps provided (specify color temperature) CP6 6' 18/3 clear power cord and plug									



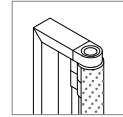
BoxBaffle



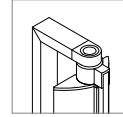
BeeFuse



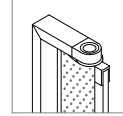
BowPerf



HalfPerf



QueFuse



WingPerf