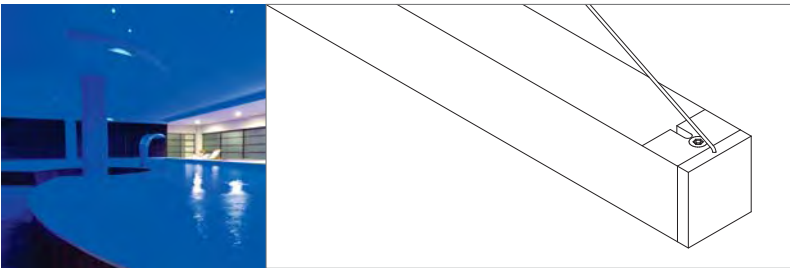




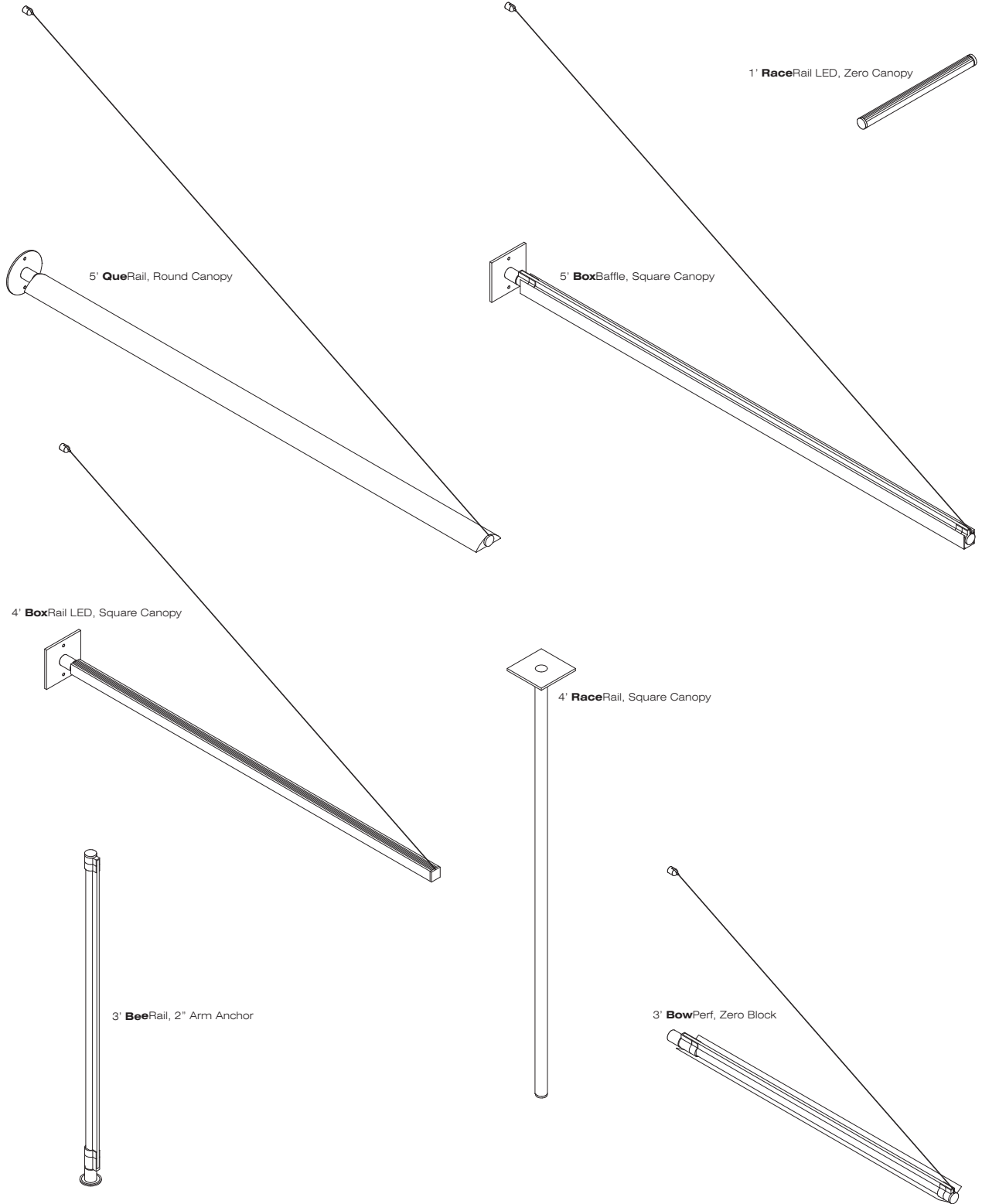
300 Series
Monopoint
VodeRail LED



300 Series Monopoint for LED. Wall, ceiling or table mount. 1'(34.3cm) – 5'(155.6cm) lengths, depending on lamp type. Patented hub design allows for 370° rotation with lock-screw.

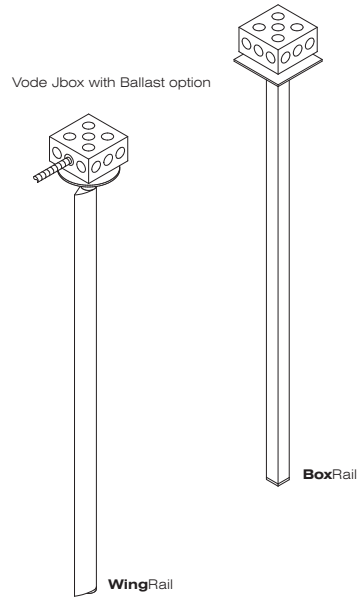
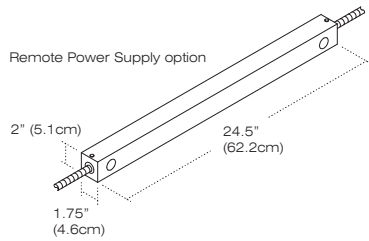


300 Series
Monopoint
VodeRail LED - Sample Configurations

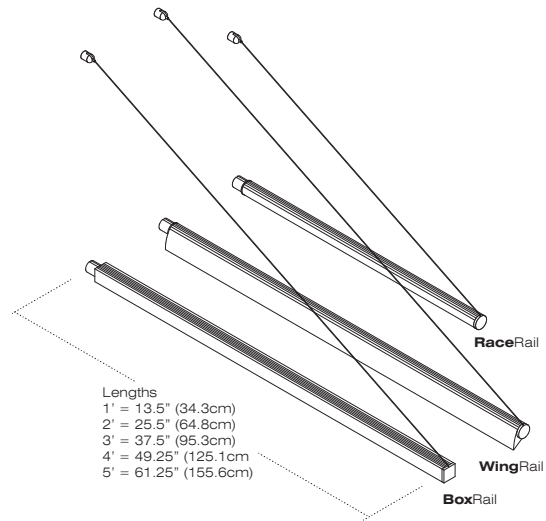
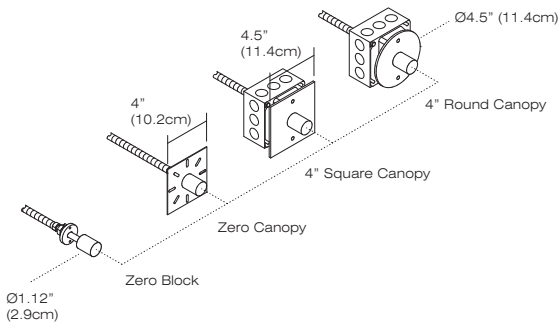




300 Series
Monopoint
VodeRail LED - Rail Types

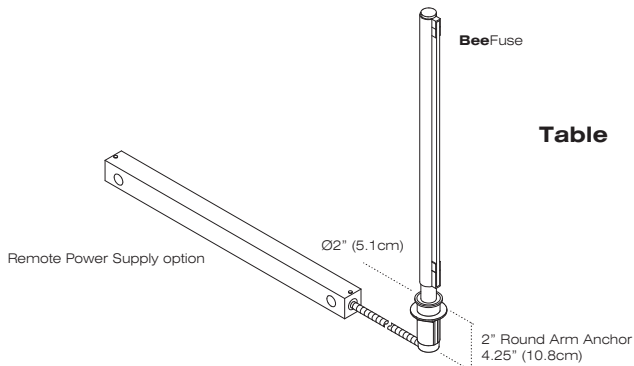


Ceiling



Wall

VodeRail/LED



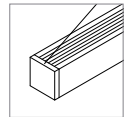
Table



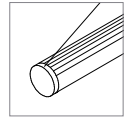
300 Series
Monopoint
VodeRail LED

Specification Code	Vode Code	Rail Type	Rail Length	Mounting	Power Location	Power Type	Voltage	Diode Type	Color Temperature	Finish	Optics	Options
	307	2	3	4	5	6	7	8	9	10	11	12

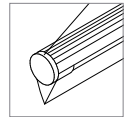
1	Vode Code 307											
2	Rail Type BX BoxRail RR RaceRail WL WingRail – left WR WingRail – right											
3	Rail Length 06 6" (7.5" projection) 1 1' (13.5" projection) 2 2' (25.5" projection) 3 3' (37.5" projection) 4 4' (49.25" projection) 5 5' (61.25" projection)											
4	Mounting C ceiling W wall T table											
5	Power Location Remote Power 00 zero canopy 0B zero block 4R 4.5" round canopy 4S 4.5" square canopy 2T 2" arm anchor (recommended for table (T) mounting)											
6	Power Type Remote Power Only AA non-dimming AT 0 – 10v dimming AD DALI dimming X other (please specify) LED power details on page 144.											
7	Voltage 1 120v 2 277v 4 220v											
8	Diode Type LL low power, low density – 1 LED every 4.7mm LH low power, high density – 1 LED every 2.4mm HL high power, low density – 1.2w LED, 1 LED every 50mm											
9	Color Temperature 30 warm white – 3000K 35 neutral white – 3500K 41 neutral white – 4100K CCT range +/-300K.											
10	Finish A brushed aluminum (standard) BL black anodized											
11	Optics 0 90° beam (no optic), clear dust lens TW 90° beam (no optic), translucent white dust lens LL and LH Diode Configurations A34 34° asymmetric HL Diode Configurations (BoxRail only) 8A 8° raw 12B 12° x 46° spread 30A 30° diffuse 12A 12° smooth 16A 16° diffuse 54A 54° diffuse											
12	Options 0 none CP6 6' 18/3 clear power cord and plug											



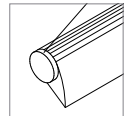
BoxRail



RaceRail



WingRail – L



WingRail – R

Due to rapid advancements in LED technology including optics and power configurations for LED, we recommend a visit to vode.com for the latest LED specifications and innovations from Vode.